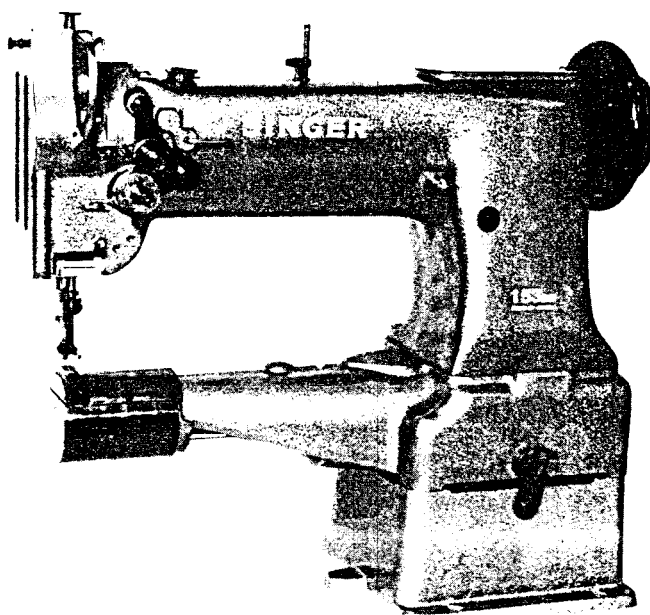


SINGER

153B8

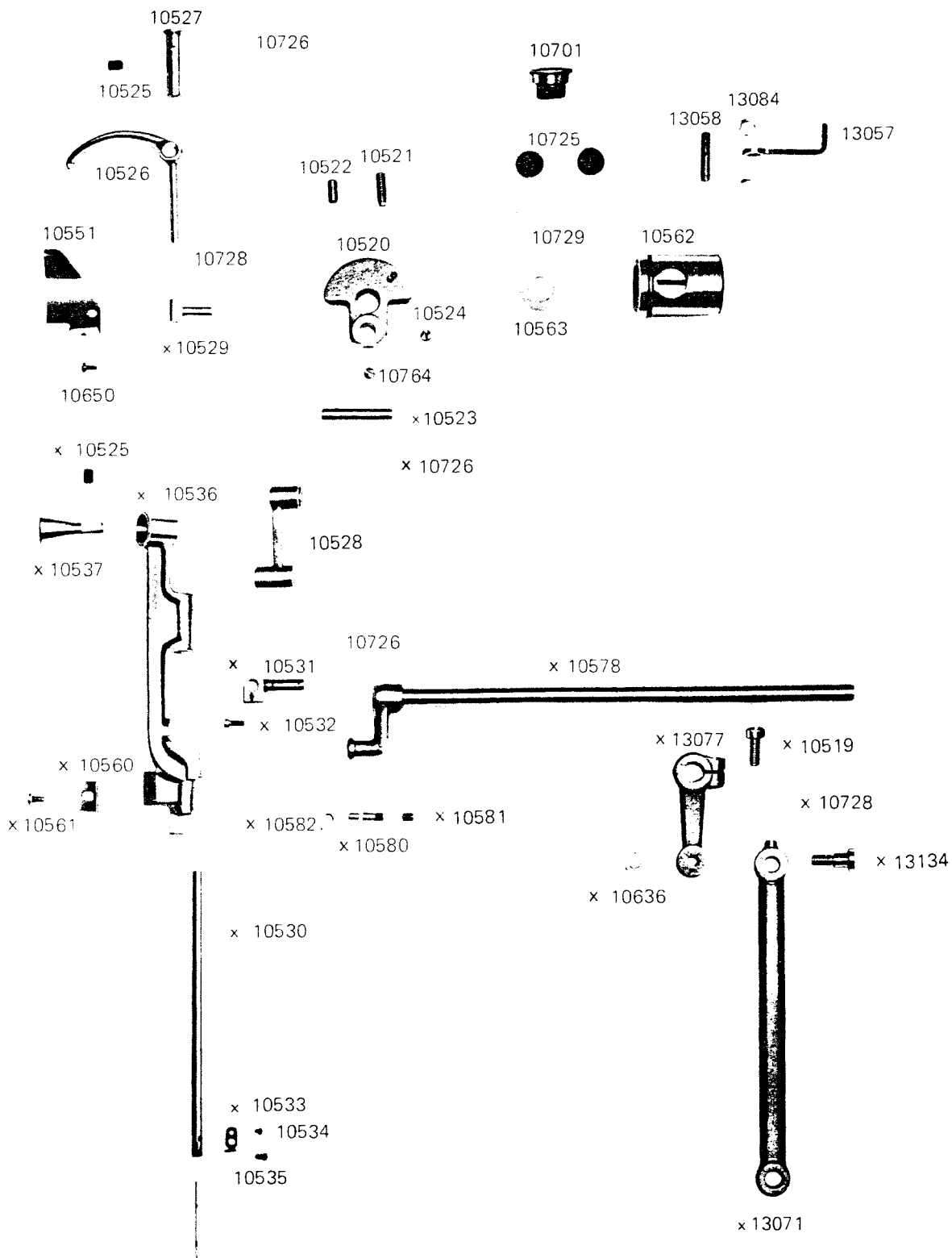
INDEX

	Page
Thread take up lever, needle bar for all models	1
天秤・針棒関係	
Arm shaft, feeding mechanism for 153B8	2
上軸・送り機構関係	
Lifting lever, face plate, slide plate	3
弓・面板・差し板・ベース関係	
Presser bar, lifting rock shaft, vibrating presser foot for 153B8	4
押え棒・横軸・中押え関係	
Hook driving shaft, rotating hook, timing belt for all models	5
下軸・カム関係	
Thread tension, feed driving rock shaft, feeder, needle plate	6
糸掛・糸調子・送り竿関係	
Accessories	7
附属関係	
Reverse stitch mechanism for 153B8B	10
Special parts for 153B1	12
153B1専用部品	
Belt guard	13
ベルトガード	



153B8

THREAD TAKE UP LEVER, NEEDLE BAR, ETC.



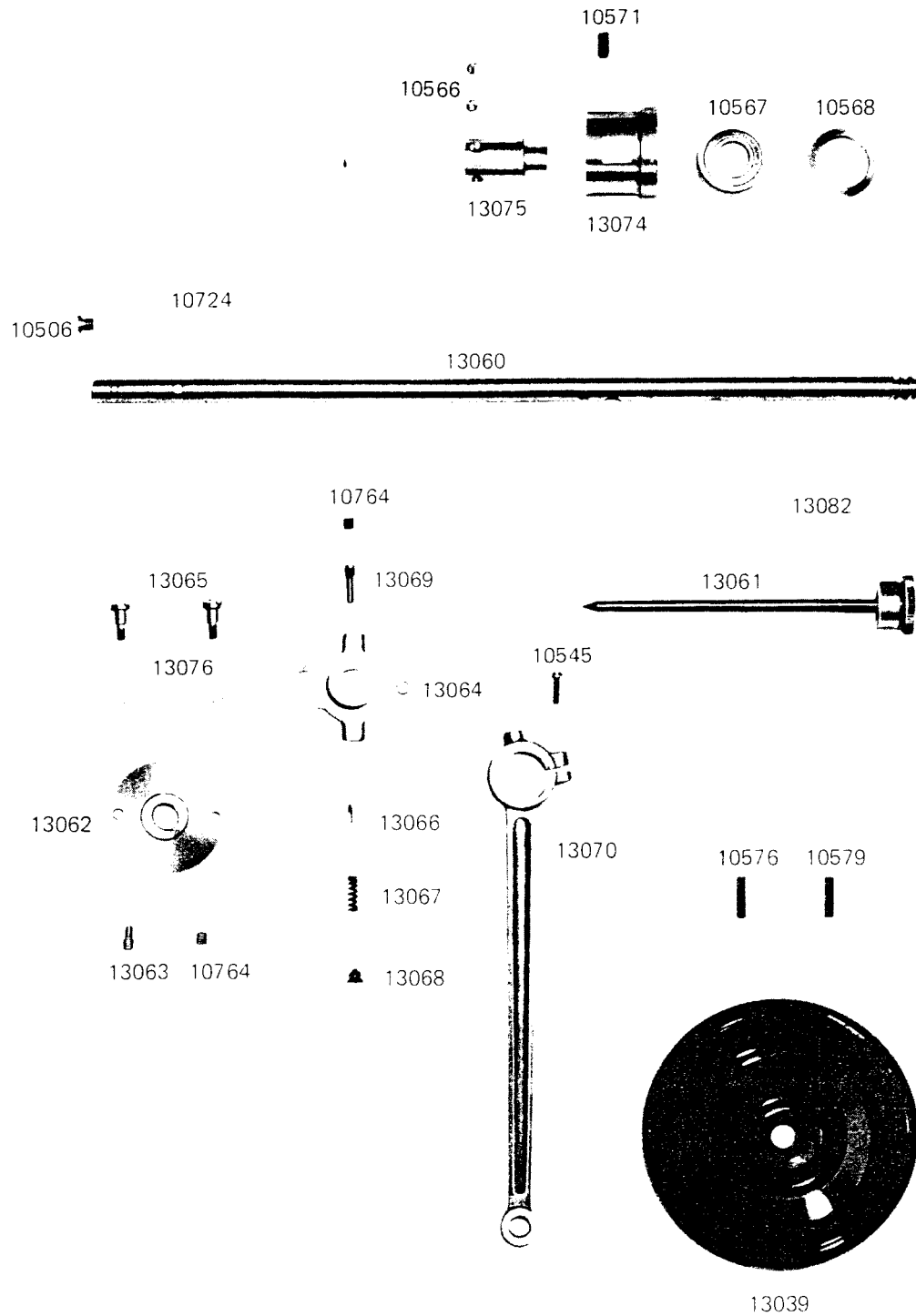
Cat. No. 3355

NOTE! WHEN ORDERING PARTS
PREFIX ALL NUMBERS BY
CS, EXAMPLE CS___

Parts marked X are not necessary for 153B1

x 10533 10534

ARM SHAFT, FEEDING MECHANISM
FOR 153B8

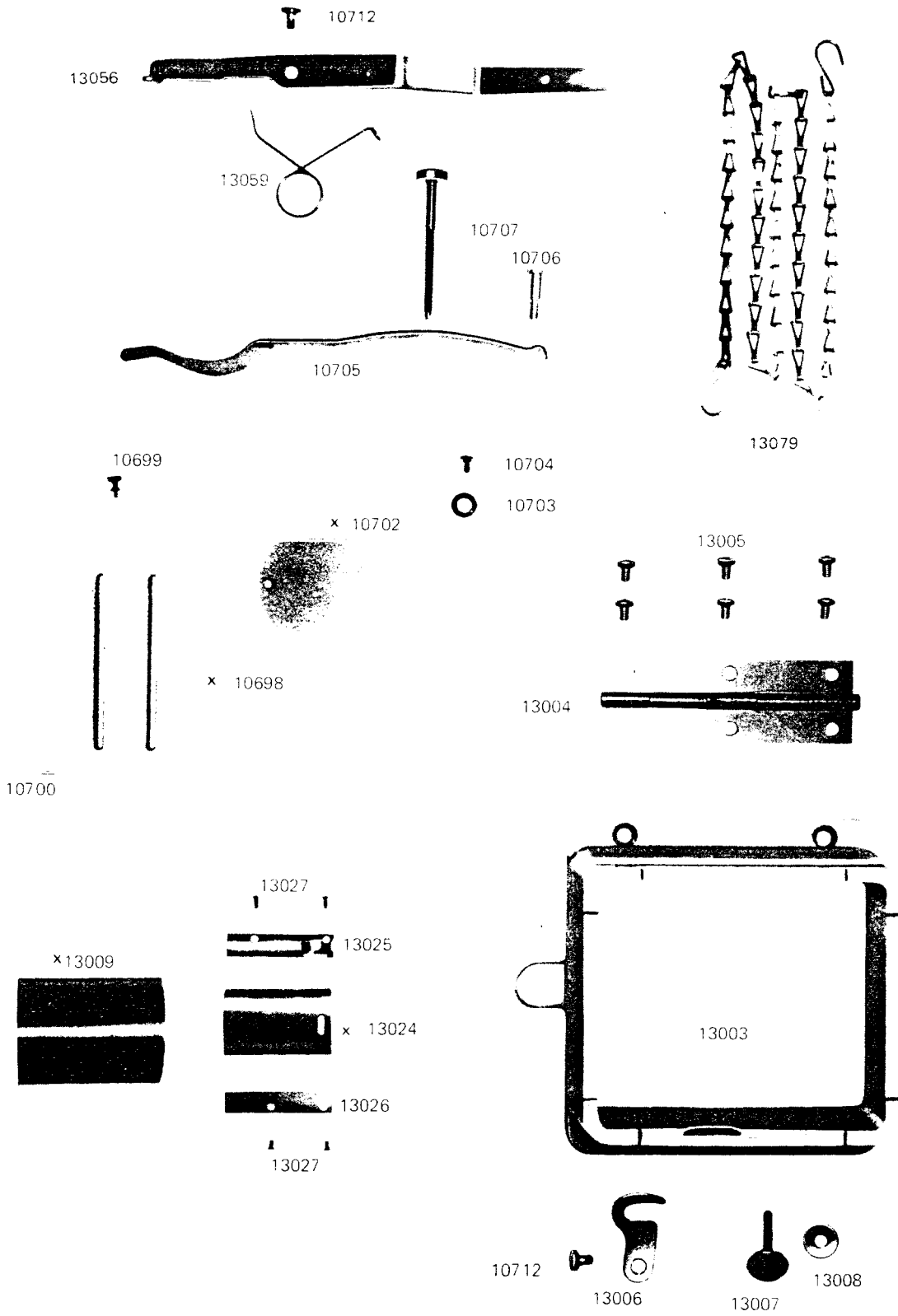


From the library of: Diamond Needle Corp

NOTE! WHEN ORDERING PARTS PREFIX ALL NUMBERS BY CS, EXAMPLE CS_

3

弓、面板、差し板、ベース関係 LIFTING LEVER, FACE PLATE, SLIDE PLATE

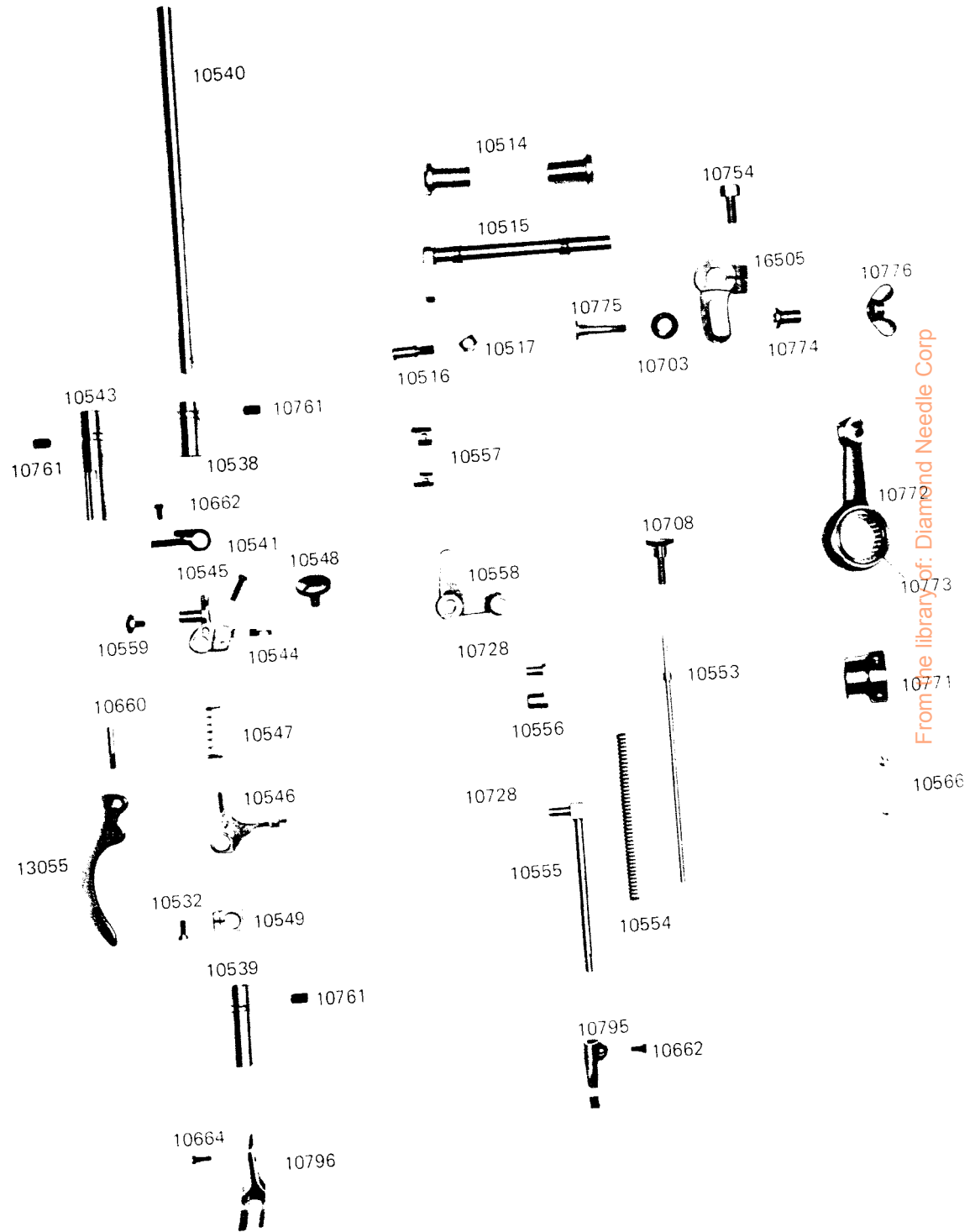


NOTE! WHEN ORDERING PARTS PREFIX ALL NUMBERS BY CS, EXAMPLE CS__

Parts marked X are not necessary for 153B1

*印は 必要

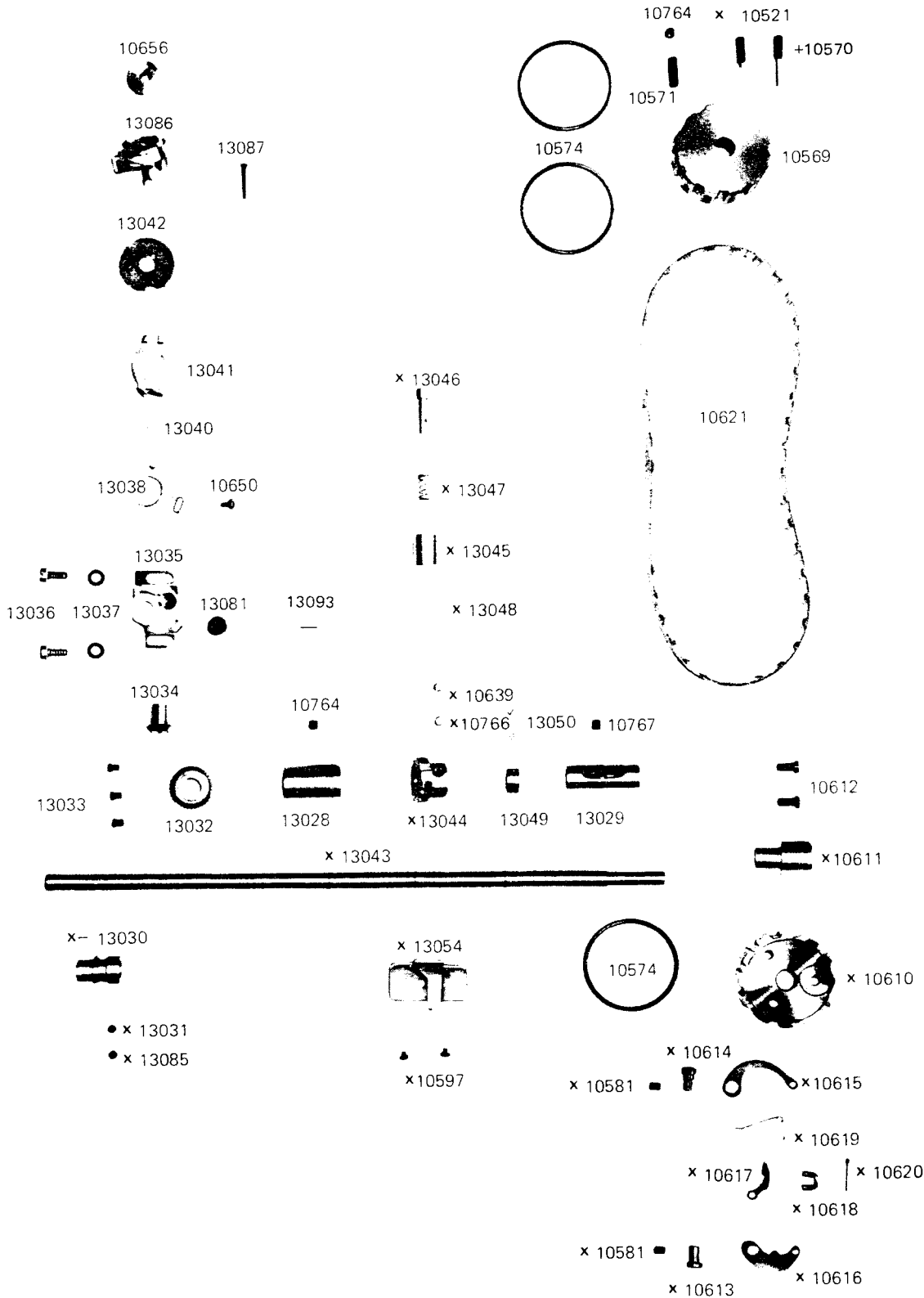
PRESSER BAR, LIFTING ROCK SHAFT, VIBRATING PRESSER FOR 153B8



From the library of: Diamond Needle Corp

NOTE! WHEN ORDERING PARTS PREFIX ALL NUMBERS BY CS, EXAMPLE CS—

HOOK DRIVING SHAFT, ROTATING HOOK, TIMING BELT



NOTE! WHEN ORDERING PARTS PREFIX ALL NUMBERS BY CS, EXAMPLE CS ___

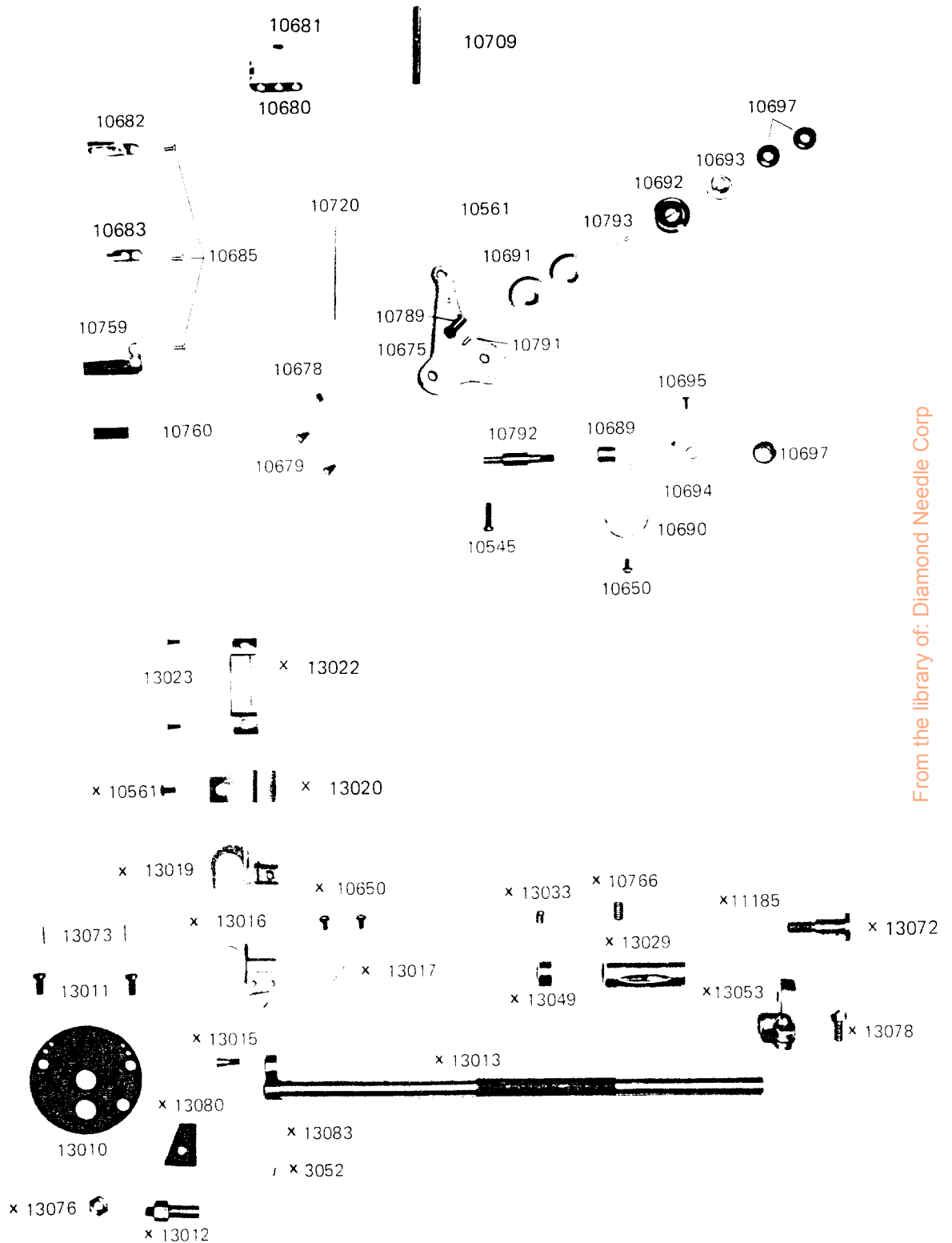
Parts marked X are not necessary for 153B1

Parts marked + is for only 153B8B

※X印は153B1には不要

糸掛、糸調子、送り竿関係

THREAD TENSION, FEED DRIVING ROCK SHAFT, FEEDER,
NEEDLE PLATE



From the library of: Diamond Needle Corp

NOTE! WHEN ORDERING PARTS PREFIX ALL NUMBERS BY CS, EXAMPLE CS ____

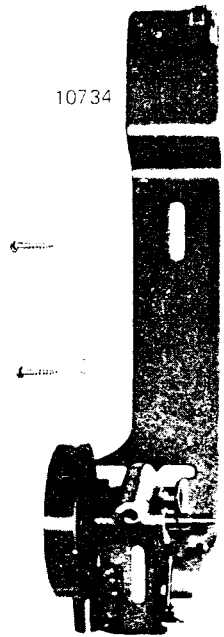
Parts marked X are not necessary for 153B1

附属関係
ACCESSORIES

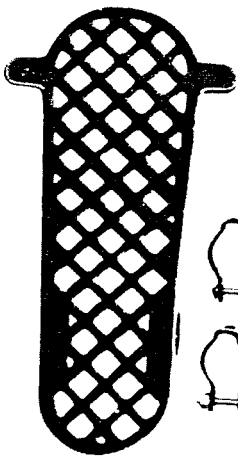
BELT GUARD (OPTIONAL) 13425C FOR 153B1, 13088C FOR 153B8



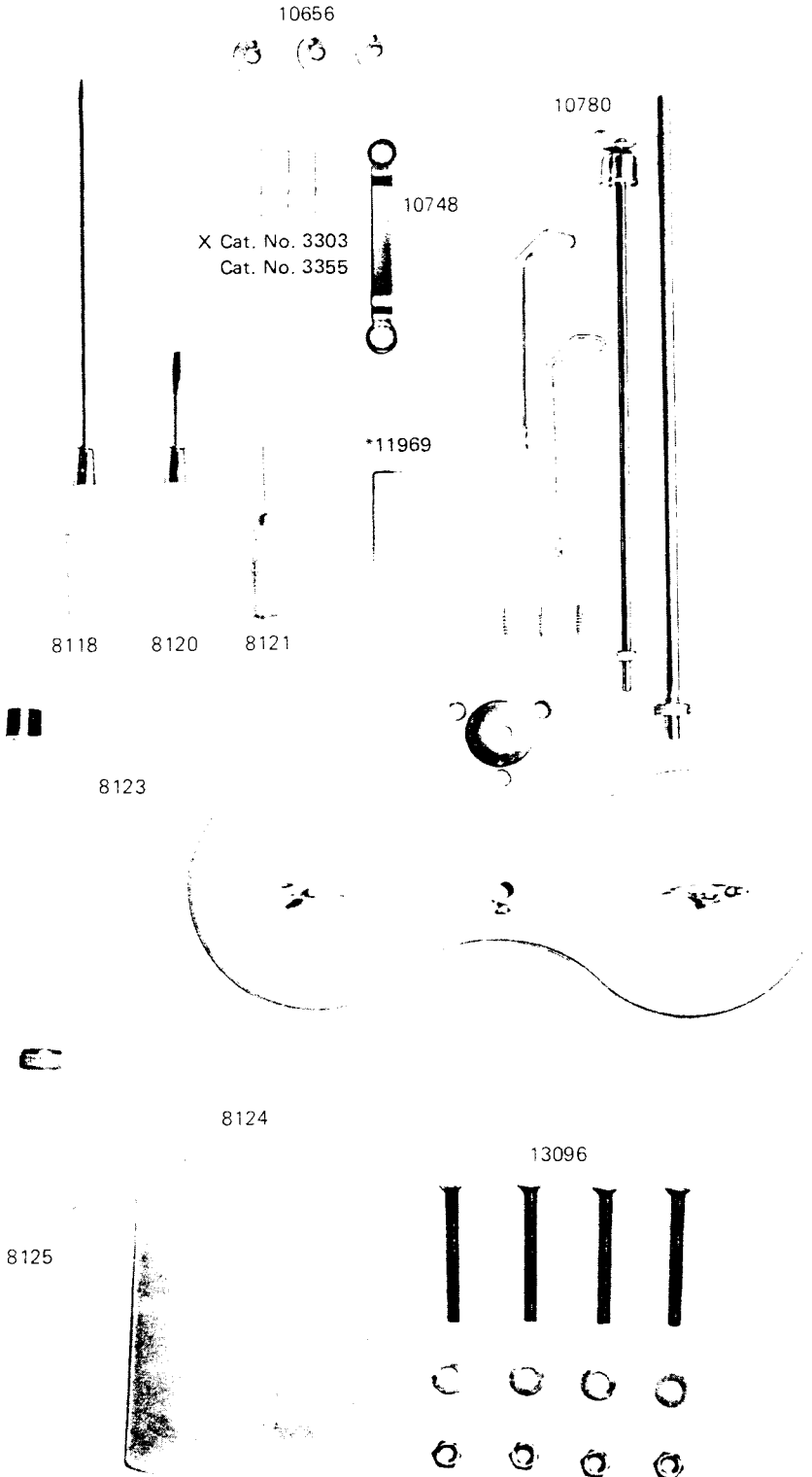
8132



10734



13094



10656



X Cat. No. 3303
Cat. No. 3355

10748

10780

*11969

8118

8120

8121

8123

8124

8125

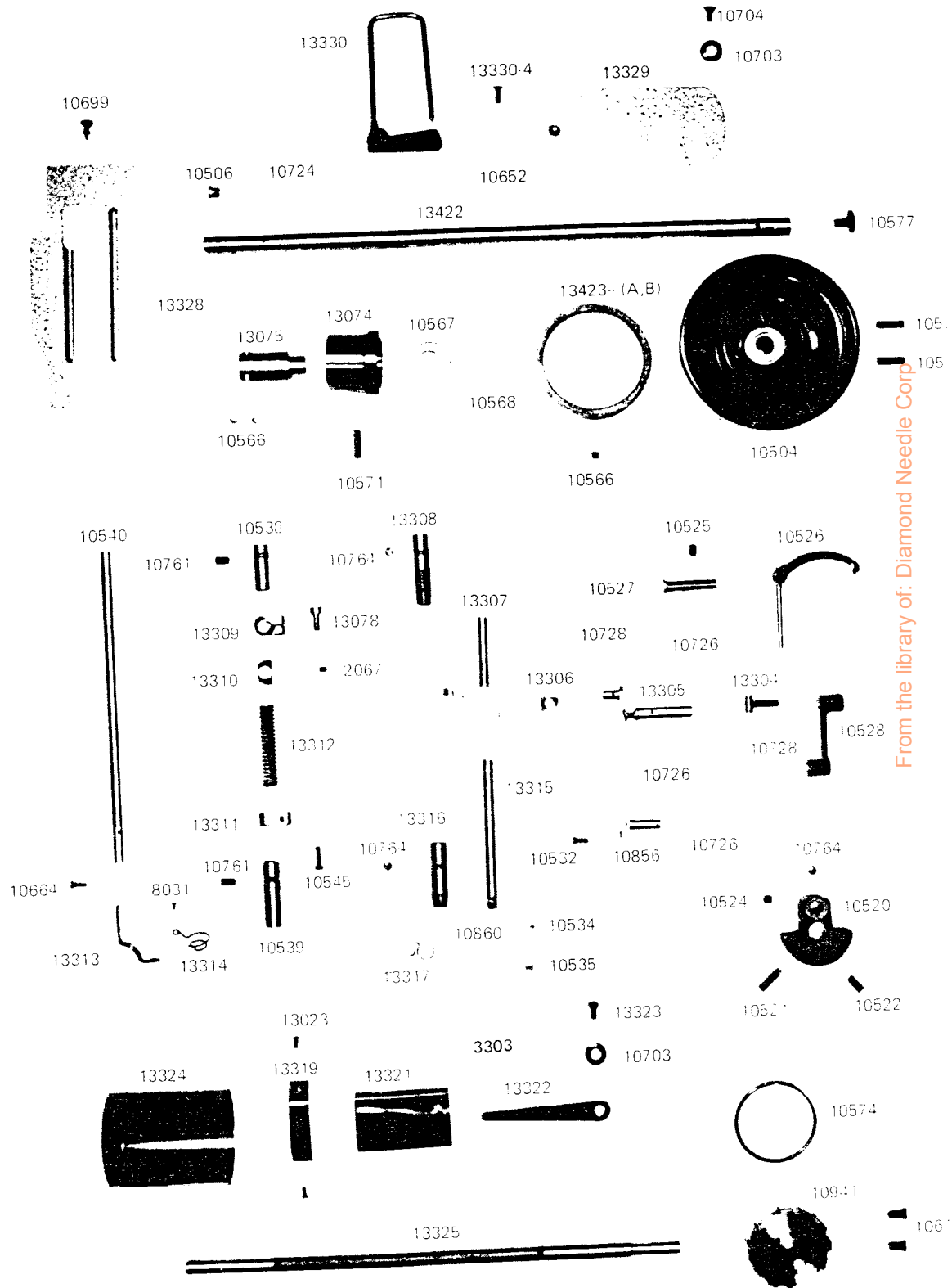
13096

Part marked * is used for only 153B8
Parts marked X is used for only 153B1

*Eは153B1のみ

NOTE! WHEN ORDERING PARTS PREFIX ALL NUMBERS BY CS, EXAMPLE CS__

1 専用部品
SPECIAL PARTS FOR 153B1



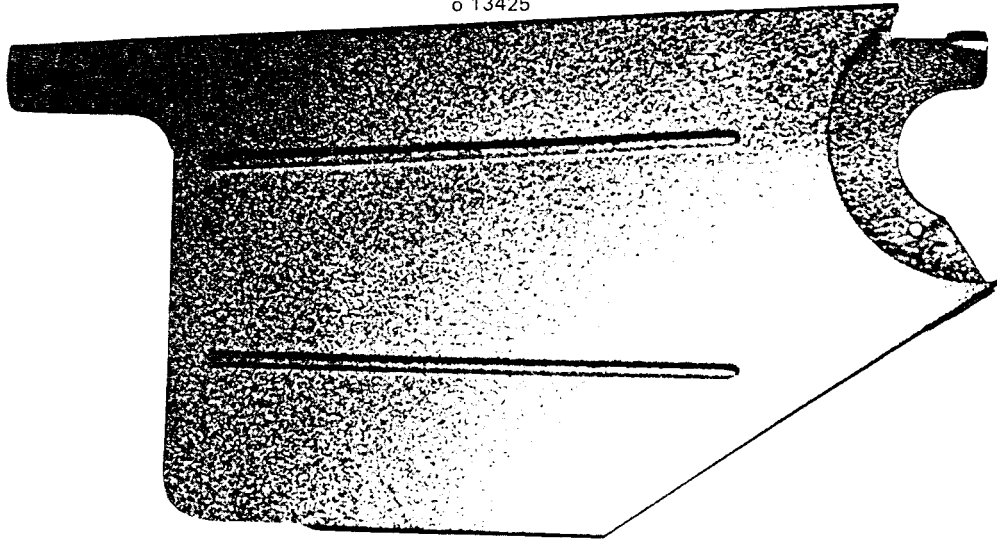
From the library of: Diamond Needle Corp

A ... Use with guard
NOTE) 13423 B ... Use without guard
NOTE! WHEN ORDERING PARTS PREFIX ALL NUMBERS BY CS, EXAMPLE CS—

ベルトガード
BELT GUARD

BELT GUARD COMPLETE
13425C FOR 153B1
13088C FOR 153B8

* 13132
o 13425

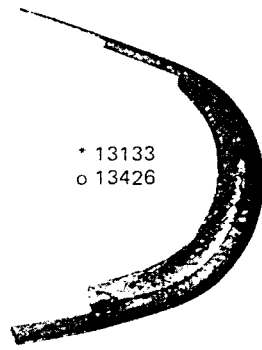


o 10559
o 11162

6339

o 50103 o 50099 o 14024
o 13427
* 11142 * 10561

* 13133
o 13426



NOTE! WHEN ORDERING PARTS PREFIX ALL NUMBERS BY CS, EXAMPLE CS_____

Parts marked o are for 153B1 only
Parts marked * are for 153B8 only